

## IPC-D6352WDS-F 5 MP AcuSense Fisheye Network Camera

HEOP

AcuSense

DarkFighter



Empowered by deep learning algorithms, AcuSense technology brings human or vehicle target classification alarms to front- and back-end devices. The system can greatly reduce false alarms generated by targets other than humans or vehicles, vastly improving alarm efficiency and effectiveness.

- Supports Hikvision Embedded Open Platform (HEOP) and importing third party applications
- Supports 1.5 TOPS computing power, 60 MB system memory, 400 MB smart RAM, and 2 GB eMMC storage for sharing resources
- Efficient H.265+ compression technology
- 180° fisheye view
- High quality imaging with 5 MP resolution
- Up to 4 live view display modes
- Clear imaging against strong back light due to 120 dB true WDR technology



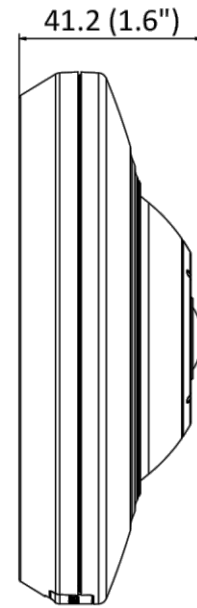
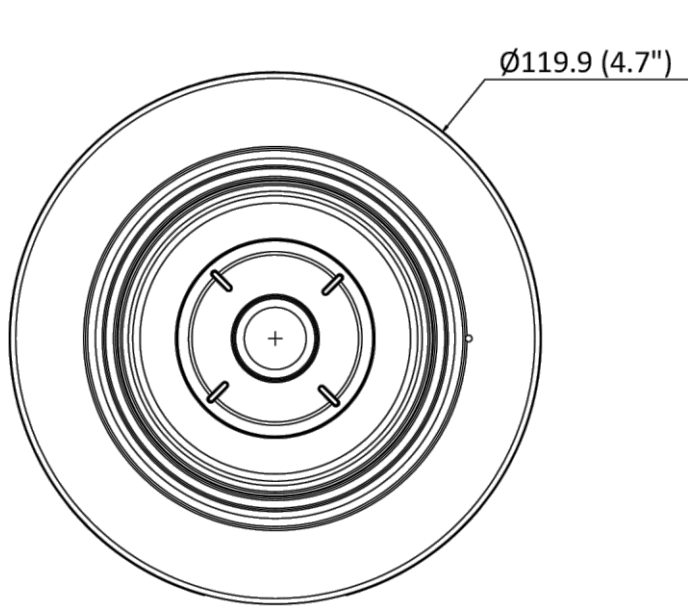
## ▪ Specification

Camera	
Image Sensor	1/2.7" Progressive Scan CMOS
Max. Resolution	2592 × 1944
Min. Illumination	Color: 0.017 Lux @ (F2.25, AGC ON), B/W: 0 Lux with IR
Shutter Time	1/3 s to 1/100,000 s
Day & Night	IR cut filter
Lens	
Lens Type	Fixed focal lens, 1.05 mm
Focal Length & FOV	1.05 mm, horizontal FOV: 180°, vertical FOV: 180°, diagonal FOV: 180°
Lens Mount	M12
Iris Type	Fixed
Aperture	F2.25
Depth of Field	0.1 m to ∞
DORI	
DORI	D: 21 m, O: 8 m, R: 4 m, I: 2 m
Illuminator	
Supplement Light Type	IR
Supplement Light Range	Up to 8 m
Smart Supplement Light	Yes
IR Wavelength	850 nm
HEOP	
Open Resources	Memory: 60 MB; Smart RAM: 400 MB; eMMC: 2 GB
Computing Power	1.5 TOPS
Deep Learning Structure	Caffe; PyTorch; TensorFlow
Programming Language	C; C++
Video	
Main Stream	50 Hz: 25 fps (2592 × 1944, 2688 × 1520, 1920 × 1080, 1280 × 720) 60 Hz: 24 fps (2592 × 1944) 30 fps (2688 × 1520, 1920 × 1080, 1280 × 720)
Sub-Stream	50 Hz: 25 fps (640 × 480, 640 × 360) 60 Hz: 30 fps (640 × 480, 640 × 360)
Third Stream	50 Hz: 10 fps (1920 × 1080, 1280 × 720, 640 × 480, 640 × 360) 60 Hz: 10 fps (1920 × 1080, 1280 × 720, 640 × 480, 640 × 360)
Fourth Stream	50 Hz: 10 fps (1280 × 720, 640 × 480, 640 × 360) 60 Hz: 10 fps (1280 × 720, 640 × 480, 640 × 360)
Video Compression	Main stream: H.265/H.264/H.264+/H.265+ Sub-stream: H.265/H.264/MJPEG Third stream: H.265/H.264 Fourth stream: H.265/H.264/MJPEG *Third stream and fourth stream are supported under certain settings.
Video Bit Rate	32 Kbps to 16 Mbps

H.264 Type	Baseline Profile/Main Profile/High Profile
H.265 Type	Main Profile
Bit Rate Control	CBR/VBR
Scalable Video Coding (SVC)	H.264 and H.265 encoding
Region of Interest (ROI)	5 fixed regions for main stream and sub-stream
Target Cropping	Yes
<b>Fisheye Display</b>	
Mount Type	Support wall/table/ceiling mounting
Display Mode	Support 19 display modes in total (including display modes of different mount types): Software decoding: Fisheye View, 180 Panorama View, 360 Panorama View, 360 Panorama+PTZ, 360 Panorama+3PTZ, 360 Panorama+6PTZ, 360 Panorama+8PTZ, 2PTZ, 4PTZ, Fisheye+3PTZ, Fisheye+8PTZ, Half Sphere, AR Half Sphere, Cylinder Hardware decoding: Fisheye View, 180 PanoramaView, 4PTZ, Fisheye+3PTZ, 360 Panorama View
<b>Audio</b>	
Audio Compression	G.711ulaw/G.711alaw/G.722.1/G.726/MP2L2/PCM/MP3/AAC-LC
Audio Bit Rate	64 Kbps (G.711ulaw/G.711alaw)/16 Kbps (G.722.1)/16 Kbps (G.726)/32 to 192 Kbps (MP2L2)/8 to 320 Kbps (MP3)/16 to 64 Kbps (AAC-LC)
Audio Sampling Rate	8 kHz/16 kHz/32 kHz/44.1 kHz/48 kHz
Environment Noise Filtering	Yes
<b>Network</b>	
Protocols	TCP/IP, ICMP, HTTP, HTTPS, FTP, DHCP, DNS, DDNS, RTP, RTSP, NTP, UPnP, SMTP, IGMP, 802.1X, QoS, IPv4, IPv6, UDP, Bonjour, SSL/TLS, PPPoE, SFTP, ARP, SNMP
Simultaneous Live View	Up to 6 channels
API	Open Network Video Interface (Profile S, Profile G, Profile T), ISAPI, SDK, ISUP
User/Host	Up to 32 users. 3 user levels: administrator, operator and user
Security	Password protection, complicated password, HTTPS encryption, IP address filter, Security Audit Log, basic and digest authentication for HTTP/HTTPS, TLS 1.2, WSSE and digest authentication for Open Network Video Interface, memory card encryption, SFTP encryption, SRTP encryption
Network Storage	NAS (NFS, SMB/CIFS), auto network replenishment (ANR) Together with high-end Hikvision memory card, memory card encryption and health detection are supported.
Client	iVMS-4200, Hik-Connect, Hik-Central
Web Browser	Plug-in required live view: IE 10, IE 11 Plug-in free live view : Chrome 57.0+, Firefox 52.0+ Local service: Chrome 57.0+, Firefox 52.0+
<b>Image</b>	
Image Parameters Switch	Yes
Image Settings	Rotate mode, saturation, brightness, contrast, sharpness, gain, white balance adjustable by client software or web browser
Day/Night Switch	Day, Night, Auto, Schedule
Wide Dynamic Range (WDR)	120 dB
Image Enhancement	BLC, HLC, 3D DNR
SNR	≥ 52 dB
<b>Interface</b>	
Ethernet Interface	1 RJ45 10 M/100 M self-adaptive Ethernet port
On-Board Storage	Built-in memory card slot, support microSD/microSDHC/microSDXC/TF card, up to 256 GB
Built-in Microphone	Yes

Audio	1 input(s) (line in), four-core terminal block, max. input amplitude: 3.3 Vpp, input impedance: 4.7 K $\Omega$ , interface type: non-equilibrium, 1 output(s) (line out), four-core terminal block, max. output amplitude: 3.3 Vpp, output impedance: 100 $\Omega$ , interface type: non-equilibrium
Alarm	1 input, 1 output (max. 12 VDC, 30 mA)
RS-485	1 RS-485 (Half duplex, HIKVISION, Pelco-P, Pelco-D, self-adaptive)
Reset Key	Yes
<b>Event</b>	
Basic Event	Video tampering alarm, exception
Smart Event	Line crossing detection, intrusion detection, region entrance detection, region exiting detection (support alarm triggered by specified target types (human and vehicle)) Unattended baggage detection, object removal detection, scene change detection, audio exception detection
Linkage	Upload to NAS/memory card/FTP, notify surveillance center, send email, trigger recording, trigger capture, trigger alarm output, audible warning
<b>Deep Learning Function</b>	
Face Capture	Yes
<b>General</b>	
Power	12 VDC $\pm$ 25%, 0.50 A, max. 6 W, $\varnothing$ 5.5 mm coaxial power plug, PoE: 802.3af, Class 3, 36 V to 57 V, 0.20 A to 0.13 A, max. 7.5 W
Dimension	$\varnothing$ 119.9 mm $\times$ 41.2 mm ( $\varnothing$ 4.7" $\times$ 1.6")
Package Dimension	150 mm $\times$ 125 mm $\times$ 99 mm (5.9" $\times$ 4.9" $\times$ 3.9")
Weight	Approx. 320 g (0.7 lb.)
With Package Weight	Approx. 510 g (1.1 lb.)
Storage Conditions	-10 $^{\circ}$ C to 50 $^{\circ}$ C ( -14 $^{\circ}$ F to 122 $^{\circ}$ F). Humidity 95% or less (non -condensing)
General Function	Anti-banding, heartbeat, mirror, privacy mask, flash log, password reset via email, pixel counter
Startup and Operating Conditions	-10 $^{\circ}$ C to 50 $^{\circ}$ C ( -14 $^{\circ}$ F to 122 $^{\circ}$ F). Humidity 95% or less (non -condensing)
Language	33 languages: English, Russian, Estonian, Bulgarian, Hungarian, Greek, German, Italian, Czech, Slovak, French, Polish, Dutch, Portuguese, Spanish, Romanian, Danish, Swedish, Norwegian, Finnish, Croatian, Slovenian, Serbian, Turkish, Korean, Traditional Chinese, Thai, Vietnamese, Japanese, Latvian, Lithuanian, Portuguese (Brazil), Ukrainian
<b>Approval</b>	
EMC	FCC: 47 CFR Part 15, Subpart B, CE-EMC: EN 55032: 2015, EN 61000-3-2:2019, EN 61000-3-3: 2013+A1:2019, EN 50130-4: 2011 +A1: 2014, RCM: AS/NZS CISPR 32: 2015
Safety	UL: UL 62368-1, CB: IEC 62368-1: 2014+A11, CE-LVD: EN 62368-1: 2014/A11: 2017
Environment	CE-RoHS: 2011/65/EU, WEEE: 2012/19/EU, Reach: Regulation (EC) No 1907/2006

▪ **Dimension**



Unit: mm (inch)

▪ **Accessory**

▪ **Optional**

<b>WM1294ZJ</b> <b>Wal Mount</b>	<b>JB1281ZJ-DM27</b> <b>Inclined Ceiling</b> <b>Junction Box</b>	<b>PM1299ZJ</b> <b>Pendant Mount</b>
-------------------------------------	--	---

